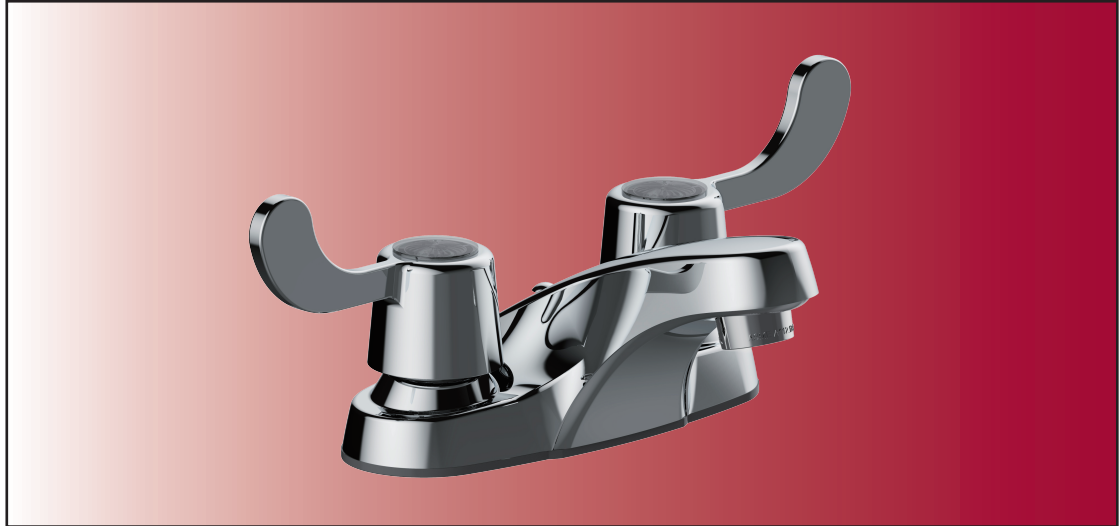


□ **P4L-405CLB**



Two - Handle Lavatory Faucet



FEATURES & BENEFITS

P4L-405CLB
Chrome Finish

- This Product Contains Less Than 0.25% Weighted Average Lead Content On Wetted Surfaces
- Metal Lever Handle
- Washerless Cartridge
- Max Flow Rate 1.2 GPM (4.5L/Min) At 60 PSI (ASME A112.18.1/A112.18.1)

Approvals:

Meets or Exceeds The Following:

- * ASME A112.18.1/CSA B125.1
- * NSF/ANSI 61
- * NSF/ANSI 372
- * IAPMO/cUPC
- * CA AB1953
- * ADA Compliant
- * EPA WaterSense
- * NSF/ANSI/CAN 61: $Q \leq 1$



TEL: 855-806-0688

FAX: 845-350-4043

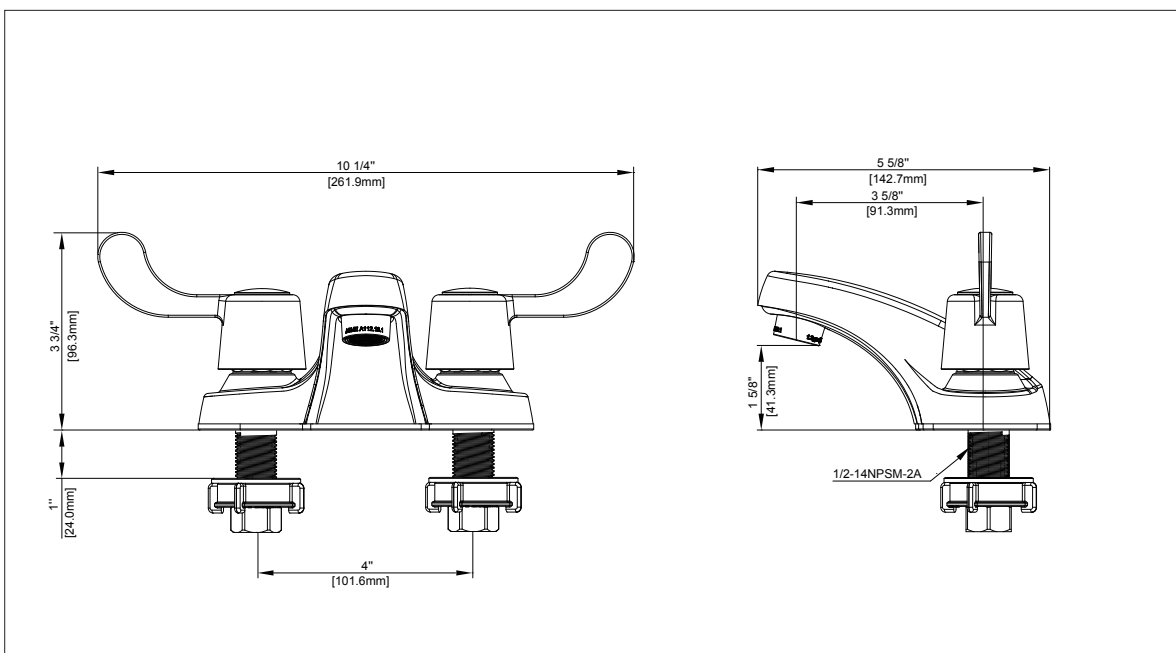
Visit Our Web Site : www.plumb4orce.com

Product Spec Sheet

Two - Handle Lavatory Faucet

No.	Name	Part No.
1	Index H / <i>índice H</i>	RP10008
2	Index C / <i>índice C</i>	RP10009
3	Screw / <i>Tornillo</i>	RP50212
4	Handle H / <i>Llave H</i>	RP13633*
5	Handle C / <i>Llave C</i>	RP13634*
6	Bonnet / <i>Bonete</i>	RP70678
7	Washer / <i>Arandela</i>	RP64124
8	Cartridge / <i>Cartucho</i>	RP22010
9	Seat & Spring / <i>Base y resorte</i>	RP22008
10	Gasket / <i>Junta</i>	RP80751
11	Aerator / <i>Aireado</i>	RP30190*
12	Easy install nut / <i>Tuerca fácil de instalar</i>	RP56095
13	Coupling nut / <i>Tuerca de acoplamiento</i>	RP56002

* Specify Finish
* Especifique el Acabado



Product Spec Sheet